


65 KBQ

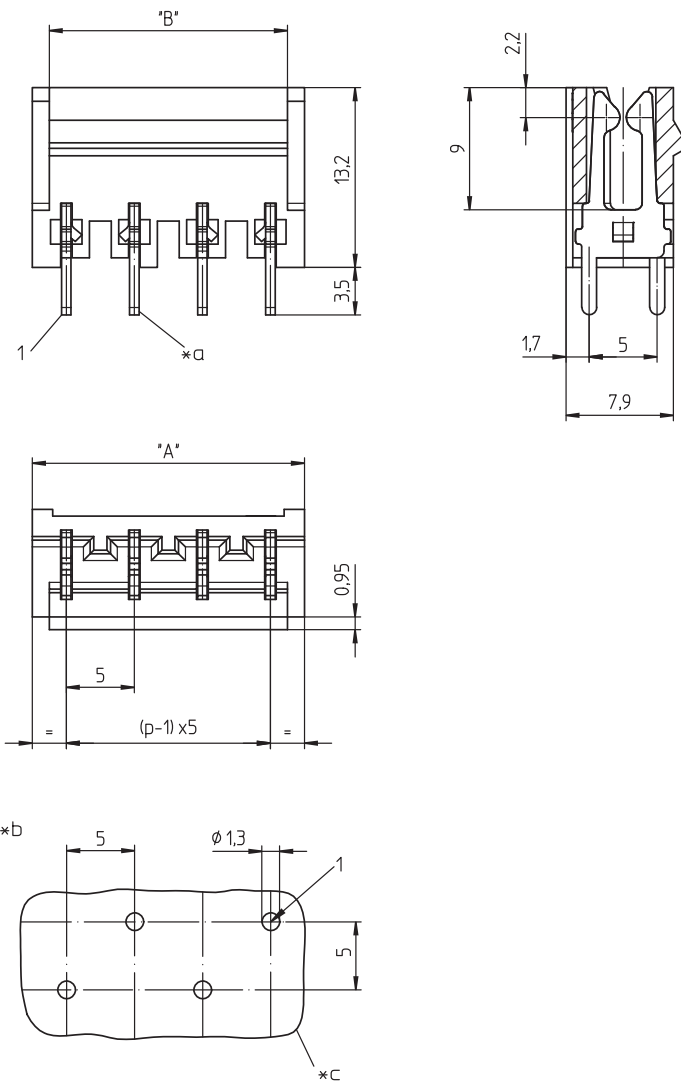
Pluggable screw terminal blocks on socket boards, pitch 5.0 mm



Socket board, upright, solder pins dual row staggered,
consecutive placement without loss of pitch

Approvals: 

65 KBQ



- *a solder pin for printed circuit board bore hole $\varnothing 1.3$ mm
- *b printed circuit board layout, solder side view
- *c printed circuit board

Environmental conditions

Temperature range $-25\text{ °C}/+100\text{ °C}^1$

¹ upper limit temperature (insulating body) RTI (electrical) of the UL Yellow Card

Materials

Insulating body PA, V-2 according to UL94

Contact spring CuSn, pre-nickel and tin-plated

Mechanical data

Insertion force/contact $\leq 2.5\text{ N}^1$

Withdrawal force/contact $\geq 1.5\text{ N}^1$

¹ measured with a polished steel pin, nominal thickness 0.7 mm

Electrical data (at $T_{\text{amb}} 20\text{ °C}$)

Contact resistance $\leq 5\text{ m}\Omega$

Rated current 10 A ($T_{\text{amb}} 65\text{ °C}$)

Rated voltage 250 V AC¹

Material group I (IEC)/0 (UL) (CTI ≥ 600)¹

Creepage distance 4.3 mm

Clearance 4.3 mm

Insulation resistance $> 10\text{ G}\Omega$

¹ according to IEC 60664/DIN EN 60664, CTI UL classification according to ANSI/UL 746A

Associated products

Counterparts

 KS

 KSC

65 KBQ

Designation	Pole Number	PU (Pieces)	MDQ (Pieces)	Dimensions	
				A (mm)	B (mm)
KBQ 02	2	200	2000	10	7.5
KBQ 03	3	200	2000	15	12.5
KBQ 04	4	200	2000	20	17.5
KBQ 05	5	200	2000	25	22.5
KBQ 06	6	200	2000	30	27.5
KBQ 07	7	200	2000	35	32.5
KBQ 08	8	200	2000	40	37.5
KBQ 09	9	200	2000	45	42.5
KBQ 10	10	200	2000	50	47.5

Packaging:

in bulk, in a cardboard box